



sargent &
greenleaf™

Ultimate Durability for the Refinery Industry

Environmental Padlocks

Model 0881 / 0883

The Sargent & Greenleaf Environmental Padlock is designed with unique features to protect against both physical attacks and extreme environmental conditions. The weatherproof padlock ensures security and easy operation even with regular exposure to extreme heat or freezing temperatures, rain, and dirt – setting the standard for perimeter security in the Refinery industry.

Features:

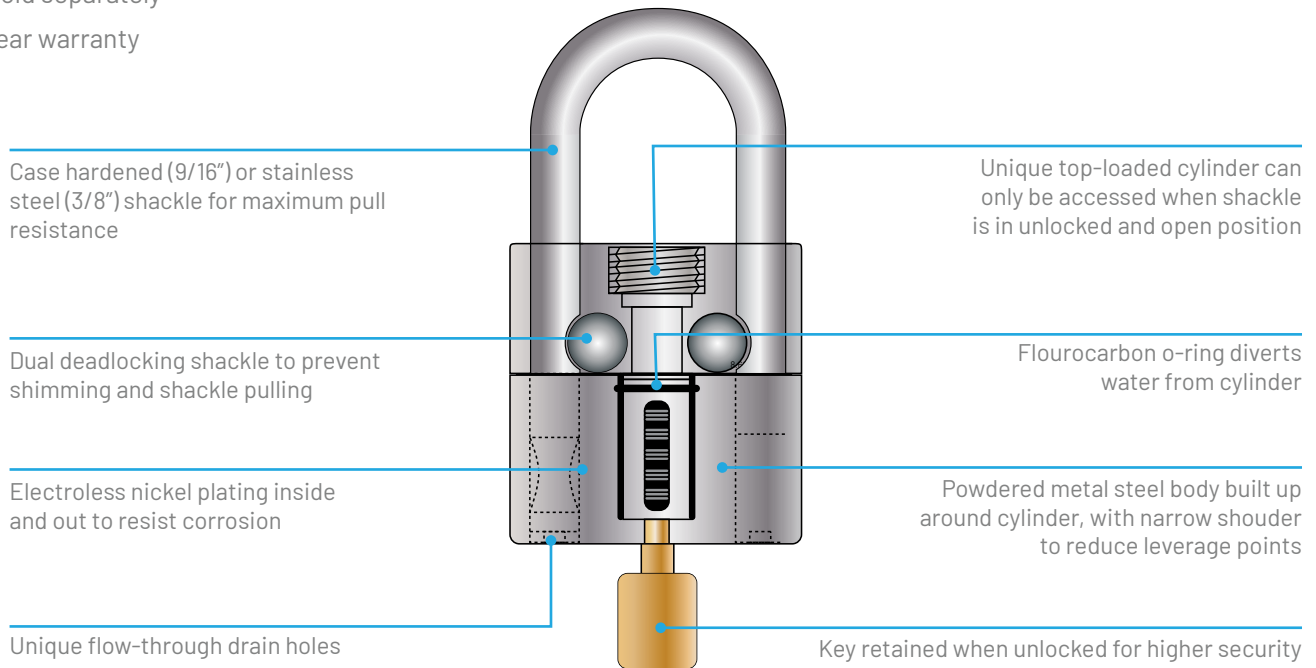
- **Self-cleaning Cylinders and Unique Flow-through Drain Holes** to open quickly even in extreme conditions.
- **Rugged Double-Balled Lock Construction** to protect against physical attacks, including shimmying, pulling, cutting, sawing and leverage attempts.
- **Coated Inside and Out with Electroless Nickel Plating** to resist corrosion.
- **Unique Key-Retaining Design with Controlled or Restricted Distribution.**
Available keyed alike or keyed different. (Keys not available commercially)
- **Two size options, 3/8" & 9/16"** for flexibility in securing critical perimeter and equipment access points domestically or internationally.



With advanced built-in security, self-cleaning design, and rugged construction, the Environmental Padlock is the ideal solution for perimeter security.

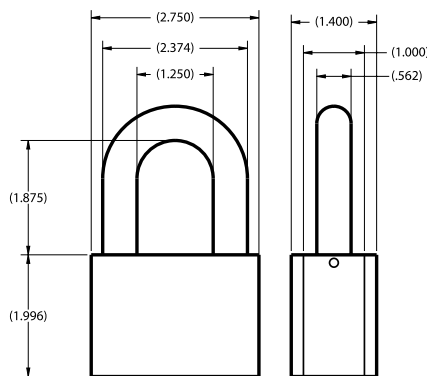
RUGGED SECURITY FOR OUTDOOR APPLICATIONS

- Built-in features prevent physical attacks and resist environmental conditions in any climate
- Easy servicing and rekeying by authorized S&G Distributor/Service Center
- Available keyed alike or keyed different
- Keys sold separately
- One-year warranty



MODEL 0881

9/16" Shackle



MODEL 0883

3/8" Shackle

